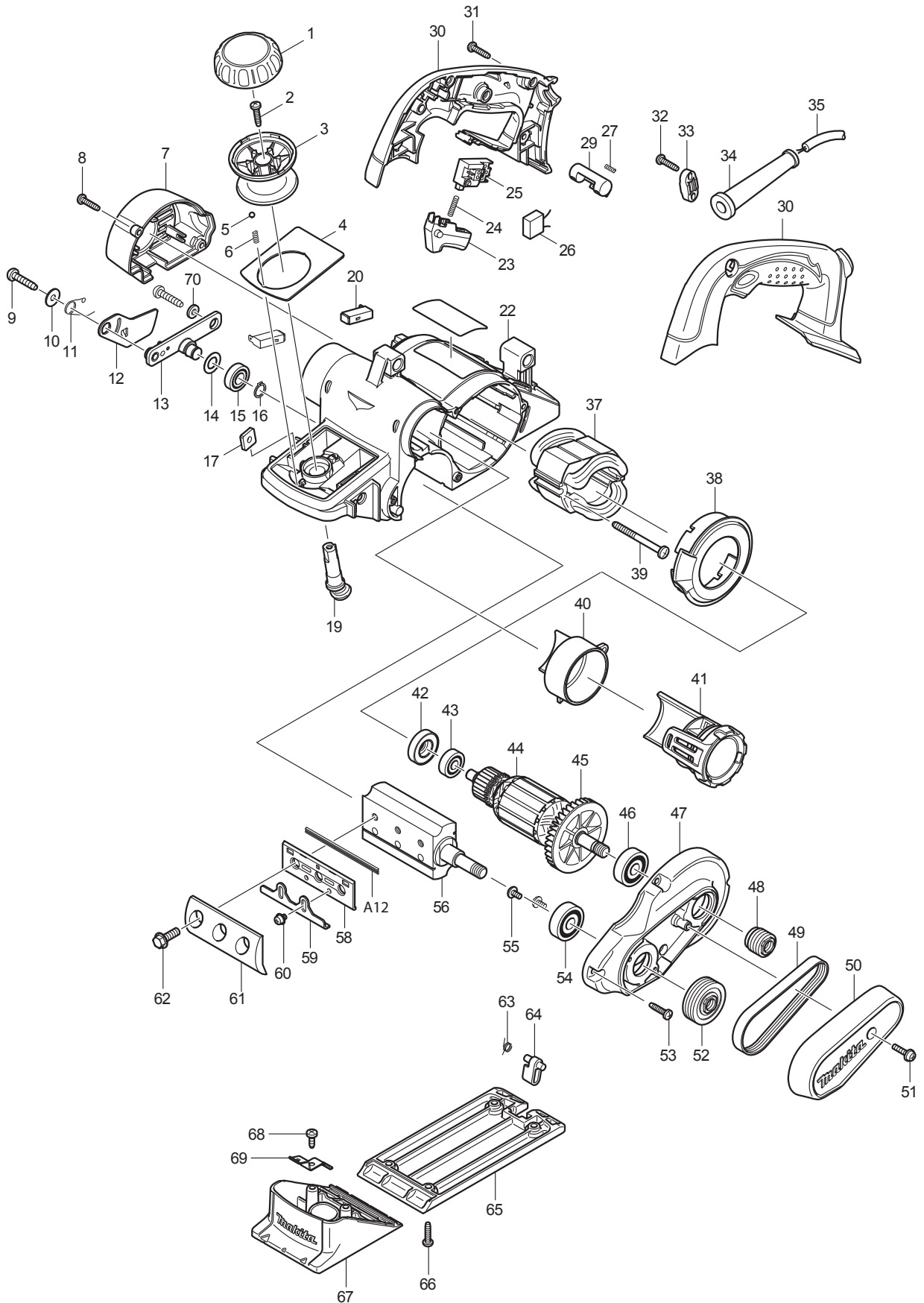




04 - 2010
KP0810
3-1/4" PLANER



Item No	Type	Ref	Part No	Description	Qty	Unit
001			419700-5	KNOB COVER	1	PC.
002			265995-6	TAPPING SCREW 4X18	1	PC.
003			419699-4	KNOB	1	PC.
004			345800-4	FRONT PANEL	1	PC.
005			216008-6	STEEL BALL 4	2	PC.
006			233325-9	COMPRESSION SPRING 3	2	PC.
007			158322-3	REAR COVER COMPLETE	1	PC.
		INC.	810329-4	CAUTION LABEL	1	PC.
008			265995-6	TAPPING SCREW 4X18	2	PC.
009			266041-8	TAPPING SCREW 5X25	2	PC.
010			253194-2	FLAT WASHER 5	1	PC.
011			233521-9	TORSION SPRING 10	1	PC.
012			345765-0	DRUM COVER	1	PC.
013			158184-9	DRUM HOLDER COMPLETE	1	PC.
014			253758-2	FLAT WASHER 10	1	PC.
015			210057-5	BALL BEARING 6900LLB	1	PC.
016			961006-2	RETAINING RING S-10	1	PC.
017			264002-2	SQUARE NUT M5	2	PC.
019			419702-1	CAM	1	PC.
020	2		194984-3	CARBON BRUSH CB-132 2PC/SET (W/ ORIGIN)	1	SET
021			863213-2	NAME PLATE F/KP0810	1	PC.
022			419694-4	HOUSING	1	PC.
023			419703-9	SWITCH LEVER	1	PC.
024			233408-5	COMPRESSION SPRING 3	1	PC.
025			651922-3	SWITCH TG71B, SINGLE	1	PC.
027			231433-0	COMPRESSION SPRING 4	1	PC.
029			419705-5	LOCK ON BUTTON	1	PC.
030			188215-0	HANDLE SET	1	SET
031			265995-6	TAPPING SCREW 4X18	5	PC.
032			265995-6	TAPPING SCREW 4X18	2	PC.
033			687063-9	STRAIN RELIEF	1	PC.
034			682502-4	CORD GUARD 8-85	1	PC.
035			664064-4	CORD W/PLUG 2P-18-2.5, SJ	1	PC.
037			525746-2	FIELD ASSY	1	PC.
		INC.	654069-2	RECEPTACLE	2	PC.
038			419701-3	BAFFLE PLATE	1	PC.
039			266095-5	TAPPING SCREW 5X55	2	PC.
040			419710-2	NOZZLE	1	PC.
041			125353-7	DUCT ASS'Y	1	PC.
042			681659-8	INSULATION WASHER	1	PC.
043			211031-6	BALL BEARING 608LLB	1	PC.
044			513681-6	ARMATURE ASSY	1	PC.
		INC.		Item No. 42, 43 & 45	1	PC.
045			240079-1	FAN 62	1	PC.
046			211087-9	BALL BEARING 6200DDW	1	PC.
047			158149-1	BRACKET COM.	1	PC.
048			222125-2	V-PULLEY 4-20L	1	PC.
049			225007-7	POLY V-BELT 4-241	1	PC.
050			419698-6	BELT COVER	1	PC.
051			911133-5	PAN HEAD SCREW M4X18	1	PC.
052			222126-0	V-PULLEY 4-37	1	PC.
053			265995-6	TAPPING SCREW 4X18	4	PC.
054			211087-9	BALL BEARING 6200DDW	1	PC.

Item No	Type	Ref	Part No	Description	Qty	Unit
055			251291-8	+ SCREW M4X8	2	PC.
056			158156-4	DRUM COM.	1	PC.
058			343433-9	SET PLATE F/MINI BLADE	2	PC.
059			345644-2	ADJUST PLATE	2	PC.
060			251246-3	+ PAN HEAD SCREW M4X5	4	PC.
061	2		187676-1	DRUM PLATE (2PCS/SET)	1	SET
062			251609-3	HEX. FLANGE HEAD BOLT M6X17	6	PC.
063			231698-4	TORSION SPRING 7	1	PC.
064			419706-3	FOOT	1	PC.
065			318098-6	BASE	1	PC.
066			265995-6	TAPPING SCREW 4X18	4	PC.
067			158360-5	FRONT BASE COMPLETE	1	PC.
068			266026-4	TAPPING SCREW BIND CT 4X12	2	PC.
069			232232-3	LEAF SPRING	2	PC.
070			267012-8	FLAT WASHER 5	1	PC.
C01			848281-6	CARTON F/KP0810	1	PC.

ACCESSORIES

A01			122785-9	GUIDE RULE ASSY	1	PC.
	2	INC.	213009-5	O RING 4 (TYPE2)	1	PC.
		INC.	251871-0	SCREW M5X10	1	PC.
		INC.	251878-6	SCREW M5X20	1	PC.
		INC.	253807-5	FLAT WASHER 5	2	PC.
		INC.	345768-4	GUIDE HOLDER	1	PC.
A02			123010-1	BLADE GAUGE ASSY	1	PC.
		INC.	911228-4	P.H. SCREW M5X18	2	PC.
		INC.	411086-3	GAUGE PLATE	1	PC.
A03			782209-3	SOCKET WRENCH 9	1	PC.
A04			342390-8	DEPTH GUIDE	1	PC.
A06			122791-4	CHAMFERING RULE ASSY	1	PC.
	2	INC.	213009-5	O RING 4 (TYPE2)	1	PC.
		INC.	251871-0	SCREW M5X10	1	PC.
		INC.	251878-6	SCREW M5X20	1	PC.
		INC.	253807-5	FLAT WASHER 5	2	PC.
		INC.	345768-4	GUIDE HOLDER	1	PC.
A07	2		191C17-3	SHARPENING HOLDER ASSY	1	PC.
		INC.	251920-3	CAP SQUARE NECK BOLT M6X30	2	PC.
		INC.	934301-3	WING NUT M6	2	PC.
A08			794061-7	DRESSING STONE 150-1200	1	PC.
A09			122793-0	DUST BAG ASS'Y (use with #451329-1 Nozzle)	1	PC.
A10			416368-8	ELBOW	1	PC.
A11			824786-0	PLASTIC CARRYING CASE	1	PC.
A12	3		D-16966	3-1/4"C.T MINI PLANER BLADE,35 DEGREE (2PCS/SET)	1	SET
	Opt		A-82921	3-1/4"C.T.MINI PLANER BLADE,65 DEGREE (2PCS/SET)	1	SET
A13			193540-6	SET PLATE (FOR MINI PLANER BLADE) (2PC/SET)	1	SET
		INC.		Item No. 58		